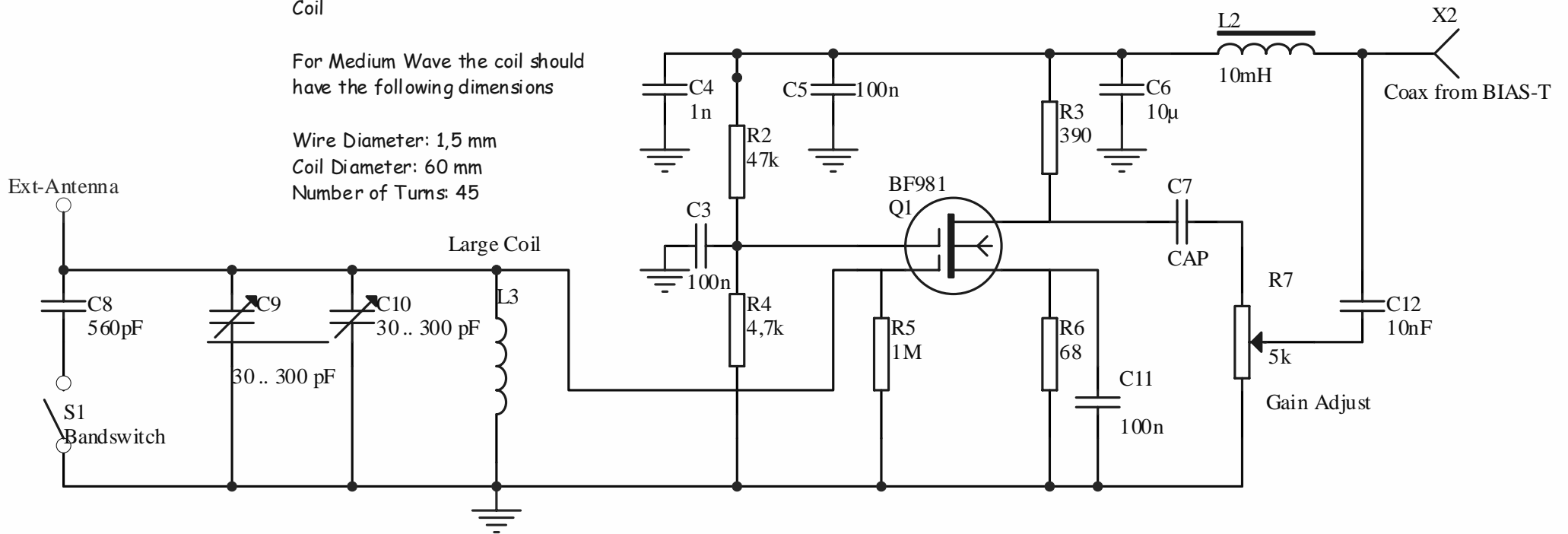


Coil

For Medium Wave the coil should have the following dimensions

Wire Diameter: 1,5 mm
 Coil Diameter: 60 mm
 Number of Turns: 45



DF9CY Active Magnetic Antenne

December 2003 (c) C.Petermann DF9CY