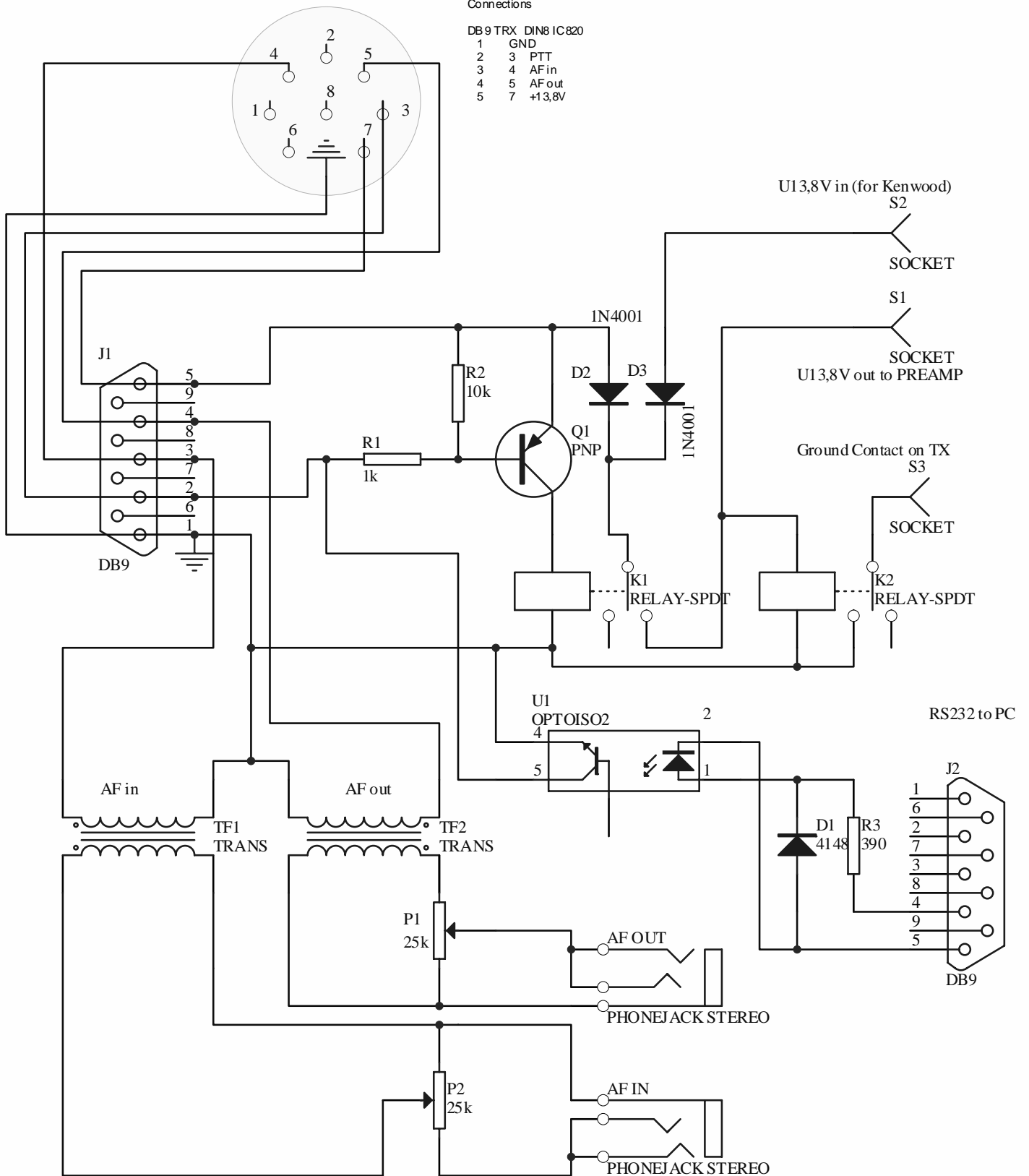


Connections

DB9 TRX	DIN8 IC820
1	GND
2	3 PTT
3	4 AFin
4	5 AFout
5	7 +13,8V



ICOM 820 Soundcard Interface DF9CY
 (c) 12. 2003 C.Petermann DF9CY